

SSS SERIES POLES

SQUARE STRAIGHT STEEL

Cat.#

Job

Type



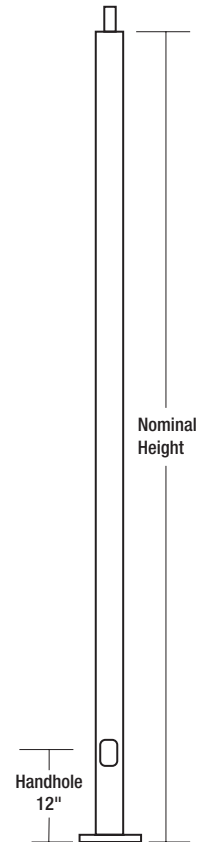
Approvals

APPLICATIONS

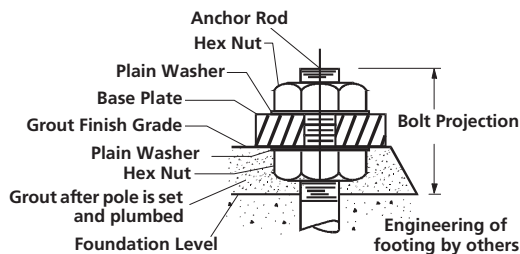
- Lighting installations for side and top mounting of luminaires with effective projected area (EPA) not exceeding maximum allowable loading of the specified pole in its installed geographic location.

FEATURES

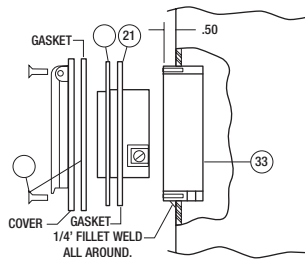
- SHAFT:** One-piece straight steel with square cross section, flat sides and minimum 0.36" radius on all corners. Minimum yield of 46,000 psi (ASTM-A500, Grade B). Longitudinal weld seam to appear flush with shaft side wall. Steel base plate with axial bolt circle slots welded flush to pole shaft having minimum yield of 36,000 psi (ATM-A36).
- BASE COVER:** Two-piece square aluminum base cover included standard.
- POLE CAP:** Pole shaft covered with removable non-metallic cover when applicable. Tenon and post-top configurations also available.
- HAND HOLE:** Rectangular steel-reinforced hand hole (2.5" x 4.5"). Pole grounding lug located behind gasketed cover.
- ANCHOR BOLTS:** Four galvanized anchor bolts provided per pole with minimum yield of 55,000 psi (modified ASTM-A36). Galvanized hardware with two washers/nuts per bolt for leveling meet or exceed bolt strength.
- FINISH:** Durable Lektrocote® TGIC thermoset polyester powder coat paint finish with nominal 3.0 mil thickness. Zinc-rich powder paint prime applied over "white metal" steel substrate cleaned via mechanical shot blast method. Decorative finish coat available in seven standard colors. Custom colors available. RAL number preferable. Internal protective coating available.



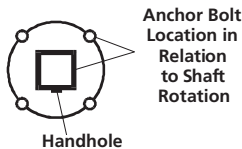
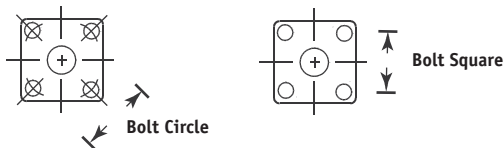
BASE DETAIL



20 AMP GFCI RECEPTACLE & COVER



Q18 OPTION



ORDERING INFORMATION

S - S - S - 25 - 40 - 1 - TA - DB

| | | | | | | | |

Cross Section Style Material Nominal Length Nominal Shaft Dia. Shaft Thickness Mounting Type Finish

Catalog Number	Pole Ht.		Nominal Shaft Dim.	Wind Load Rating ¹					Wall Thick.	Bolt Circle (Sug.)	Bolt Circle	Bolt Sq.	Base Plate (sq.)	Anchor Bolt Size	Bolt Proj.	Pole Wt (lbs)
	ft	m		70 MPH	80 MPH	90 MPH	100 MPH	120 MPH								
SSS-10-40-1-XX-XX	10	3.0	4"	25	25	25	23	15	.119"	11"	8 - 11"	5.6 - 7.8"	10.25 x 0.75"	3/4 x 30 x 3"	4"	91
SSS-10-50-1-XX-XX	10	3.0	5"	25	25	25	23	15	.119"	11"	10 - 13.5"	7.1 - 9.5"	12 x 1"	3/4 x 30 x 3"	4"	106
SSS-12-40-1-XX-XX	12	3.7	4"	25	21	16	13.0	8.8	.119"	11"	8 - 11"	5.6 - 7.8"	10.25 x 0.75"	3/4 x 30 x 3"	4"	104
SSS-12-50-1-XX-XX	12	3.7	5"	25	25	23	18	11.8	.119"	11"	10 - 13.5"	7.1 - 9.5"	12 x 1"	3/4 x 30 x 3"	4"	122
SSS-14-40-1-XX-XX	14	4.3	4"	24	18	14.2	11.0	6.8	.119"	11"	8 - 11"	5.6 - 7.8"	10.25 x 0.75"	3/4 x 30 x 3"	4"	116
SSS-14-40-7-XX-XX	14	4.3	4"	25	25	23	18	12.2	.179"	11"	8 1/2 - 12"	6 - 8.4"	11 x 1"	3/4 x 30 x 3"	4"	158
SSS-14-50-1-XX-XX	14	4.3	5"	25	24	19	14.4	9.0	.119"	11"	10 - 13.5"	7.1 - 9.5"	12 x 1"	3/4 x 30 x 3"	4"	138
SSS-16-40-1-XX-XX	16	4.9	4"	16	12.2	9.0	6.8	3.8	.119"	11"	8 - 11"	5.6 - 7.8"	10.25 x 0.75"	3/4 x 30 x 3"	4"	128
SSS-16-40-7-XX-XX	16	4.9	4"	25	20	15	12.2	7.6	.179"	11"	8 1/2 - 12"	6 - 8.4"	11 x 1"	3/4 x 30 x 3"	4"	176
SSS-16-50-1-XX-XX	16	4.9	5"	22	16	12.2	9.2	5.2	.119"	11"	10 - 13.5"	7.1 - 9.5"	12 x 1"	3/4 x 30 x 3"	4"	153
SSS-16-50-7-XX-XX	16	4.9	5"	25	25	24	19	12.4	.179"	11"	10 - 13.5"	7.1 - 9.5"	12 x 1"	3/4 x 30 x 3"	4"	214
SSS-18-40-1-XX-XX	18	5.5	4"	13.8	10.0	7.2	5.2	2.4	.119"	11"	8 - 11"	5.6 - 7.8"	10.25 x 0.75"	3/4 x 30 x 3"	4"	147
SSS-18-40-7-XX-XX	18	5.5	4"	23	17	13.0	10.0	6.0	.179"	11"	10 - 13.5"	7.1 - 9.5"	11 x 1"	3/4 x 30 x 3"	4"	201
SSS-18-50-1-XX-XX	18	5.5	5"	18	13.2	9.6	7.0	3.4	.119"	11"	10 - 13.5"	7.1 - 9.5"	12 x 1"	3/4 x 30 x 3"	4"	175
SSS-18-50-7-XX-XX	18	5.5	5"	25	25	20	16	9.8	.179"	11"	8 1/2 - 12"	6 - 8.4"	12 x 1"	3/4 x 30 x 3"	4"	243
SSS-20-40-1-XX-XX	20	6.1	4"	11.4	8.0	5.6	3.8	1.4	.119"	11"	8 - 11"	5.6 - 7.8"	10.25 x 0.75"	3/4 x 30 x 3"	4"	160
SSS-20-40-7-XX-XX	20	6.1	4"	19	14.6	10.8	8.0	4.4	.179"	11"	8 1/2 - 12"	6 - 8.4"	11 x 1"	3/4 x 30 x 3"	4"	225
SSS-20-50-1-XX-XX	20	6.1	5"	15	10.8	7.6	5.2	2.0	.119"	11"	10 - 13.5"	7.1 - 9.5"	12 x 1"	3/4 x 30 x 3"	4"	191
SSS-20-50-7-XX-XX	20	6.1	5"	25	23	17	13.2	7.6	.179"	11"	10 - 13.5"	7.1 - 9.5"	12 x 1"	3/4 x 30 x 3"	4"	266
SSS-20-60-7-XX-XX	20	6.1	6"	25	25	24	18	11.2	.179"	12"	11 - 13.5"	7.8 - 9.5"	12 x 1"	1 x 36 x 4"	4"	312
SSS-25-40-1-XX-XX	25	7.6	4"	7.0	4.2	2.2	NR	NR	.119"	11"	8 - 11"	5.6 - 7.8"	10.25 x 0.75"	3/4 x 30 x 3"	4"	190
SSS-25-40-7-XX-XX	25	7.6	4"	13.4	9.4	6.4	4.2	1.4	.179"	11"	8.5 - 12"	6 - 8.4"	11 x 1"	3/4 x 30 x 3"	4"	266
SSS-25-50-1-XX-XX	25	7.6	5"	9.6	6.0	3.4	1.4	NR	.119"	11"	10 - 13.5"	7.1 - 9.5"	12 x 1"	1 x 36 x 4"	4"	231
SSS-25-50-7-XX-XX	25	7.6	5"	22	15	11.2	7.8	3.4	.179"	11"	10 - 13.5"	7.1 - 9.5"	12 x 1"	1 x 36 x 4"	4"	324
SSS-25-50-3-XX-XX	25	7.6	5"	25	22	16	12.4	6.6	.250"	11"	10 - 13.5"	7.1 - 9.5"	12 x 1"	1 x 36 x 4"	4"	437
SSS-25-60-3-XX-XX	25	7.6	6"	25	22	16	11.6	5.6	.179"	12"	11 - 13.5"	7.8 - 9.5"	12 x 1"	1 x 36 x 4"	4"	404
SSS-27-40-7-XX-XX	27	8.2	4"	11.4	7.8	5.0	3.0	NR	.179"	11"	8.5 - 12"	6 - 8.4"	11 x 1"	1 x 36 x 4"	4"	290
SSS-30-40-7-XX-XX	30	9.1	4"	8.2	5.0	2.8	1.2	NR	.179"	11"	8.5 - 12"	6 - 8.4"	11 x 1"	1 x 36 x 4"	4"	313
SSS-30-50-7-XX-XX	30	9.1	5"	14.2	9.4	6.0	3.4	NR	.179"	11"	10 - 13.5"	7.1 - 9.5"	12 x 1"	1 x 36 x 4"	4"	398
SSS-30-50-3-XX-XX	30	9.1	5"	20	14.6	10.2	6.8	2.4	.250"	11"	10 - 13.5"	7.1 - 9.5"	12 x 1"	1 x 36 x 4"	4"	537
SSS-30-60-7-XX-XX	30	9.1	6"	20	13.8	9.2	5.8	1.2	.179"	12"	11 - 13.5"	7.8 - 9.5"	12 x 1"	1 x 36 x 4"	4"	467
SSS-30-60-3-XX-XX	30	9.1	6"	25	24	17	12.8	6.2	.250"	12"	11 - 13.5"	7.8 - 9.5"	12 x 1"	1.25 x 42 x 6"	4"	630
SSS-35-60-7-XX-XX	35	10.7	6"	14.2	8.4	4.6	1.6	NR	.179"	12"	11 - 13.5"	7.8 - 9.5"	12 x 1"	1 x 36 x 4"	4"	538
SSS-35-60-3-XX-XX	35	10.7	6"	25	17	11.6	7.4	1.8	.250"	12"	11 - 13.5"	7.8 - 9.5"	12 x 1"	1.25 x 42 x 6"	4"	726
SSS-40-60-7-XX-XX	40	12.2	6"	9.0	4.0	NR	NR	NR	.179"	12"	11 - 13.5"	7.8 - 9.5"	12 x 1"	1 x 36 x 4"	4"	614
SSS-40-60-3-XX-XX	40	12.2	6"	18	11.8	6.8	3.2	NR	.250"	12"	11 - 13.5"	7.8 - 9.5"	12 x 1"	1.25 x 42 x 6"	4"	802

¹ Allowable EPA with 1.3 gust factor. To determine max. pole loading weight, multiply allowable EPA by 30 lbs.
NOTE Factory supplied template must be used when setting anchor bolts. Hubbell Lighting will deny any claim for incorrect anchorage placement resulting from failure to use factory supplied template and anchor bolts.

COMPLETE PART NUMBER REQUIRES SHAFT ABOVE PLUS MOUNTING TYPE, FINISH & APPROPRIATE OPTIONS BELOW

MOUNTING TYPE

- AX¹** Side - Single
- BX¹** Side - Double at 90°
- CX¹** Side - Double at 180°
- DX¹** Side - Triple at 90°
- FX¹** Side - Quad at 90°
- P1** Pad Mount - Spider Type
- P2** Pad Mount - Yoke Type
- P3** Pad Mount - Yoke Type (Proformer XL only)
- TA** Tenon (2.375" OD)
- TB** Tenon (2.875" OD)
- TR²** Removable Tenon (2.375 x 4.25)
- CD** Concord Luminaire
- OT** No drilling (includes pole cap)

FINISH

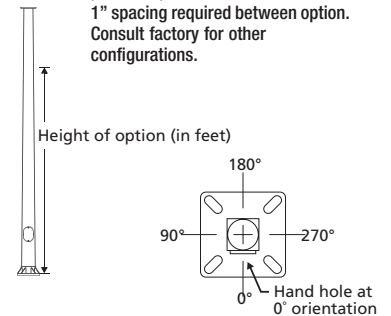
- DB** Dark Bronze
- BL** Black
- WH** White
- GR** Gray
- PS** Platinum Silver
- RD** Red (Premium Color)
- FG** Forest Green (Premium Color)
- CC** Custom Color (Consult Factory)
- PR** Primer Only

OPTIONS

- Q55** Internal Coating (Hubbell Seal)
- Q18³** 20 Amp GFCI Receptacle and Cover
- Q22³** Extra Handhole
- Q26³** .5" Coupling
- Q27³** .75" Coupling
- Q30³** 2" Coupling
- Q32³** Mid-pole Luminaire Bracket
- Q41** 1st mode vibration damper
- Q42** 2nd mode vibration damper
- LAB** Less Anchor Bolts
- CSA** CSA Certified (consult factory)

OPTION ORIENTATION

Follow the logic below when ordering location specific options. For each option, include its orientation (in degrees) and its height (in feet). Example: Option Q26 should be ordered as: **SSS-20-40-1-TA-DB-Q26-0-15** (.5" coupling on the handhole/arm side of pole, 15 feet up from the pole base) 1" spacing required between option. Consult factory for other configurations.



- 1 DRILL PATTERNS: Replace **X** with
1 = Spaulding luminaires with a straight pole (4-bolt),
2 = Cimarron CR1, MSV and Raven Series luminaires.
4 = MSS & DS luminaires,
5 = Spaulding Detroit III luminaires,
6 = DM luminaires
- 2 Removable tenon used in conjunction with side arm mounting. First specify desired arm configuration followed by the "TR" notation. Example: **SSS-25-40-7-C6-TR-DB**
- 3 Specify option location using logic found on cover.

☐ Denotes handhole location

Due to our continued efforts to improve our products, product specifications are subject to change without notice.



Spaulding Lighting • 701 Millennium Boulevard • Greenville, SC 29607 • Phone: 864-678-1000
Due to our continued efforts to improve our products, product specifications are subject to change without notice.

